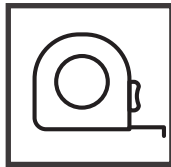


TRELLIS PLANTER INSTRUCTIONS

We recommend using the following tools (not supplied):



Tape Measure



Pozidrive
Screwdriver



Drill & 2-3mm
Drill Bits

FIXING PACK CONTAINS:

FIXING PACK CODE: TPLAFP



5 x 90mm Screws
QTY: 4



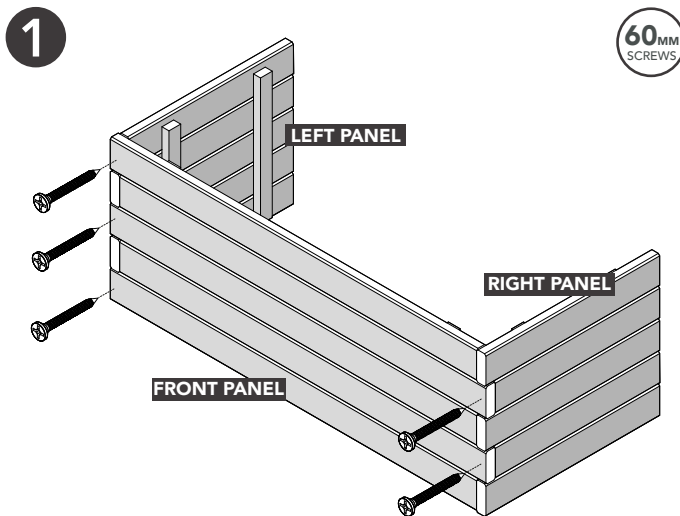
4 x 60mm Screws
QTY: 10



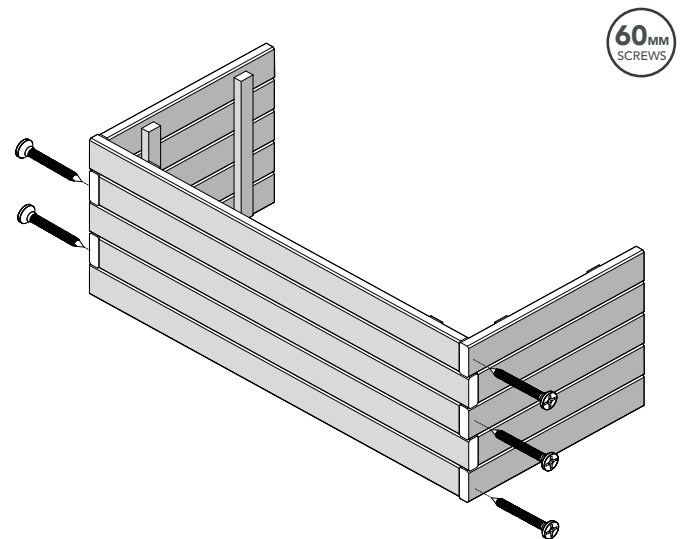
4 x 40mm Screws
QTY: 6

PLEASE KEEP PLASTIC BAGS AND SMALL PARTS AWAY FROM CHILDREN

CHECK AND TIGHTEN ALL THE FIXINGS APPLIED TO THIS PRODUCT ON A REGULAR BASIS.



Position and secure the Front Panel to the Left and Right panels, as shown above. Ensure both corners are flush.



Screw the Left and Right panels to the Front Panel, as shown above.



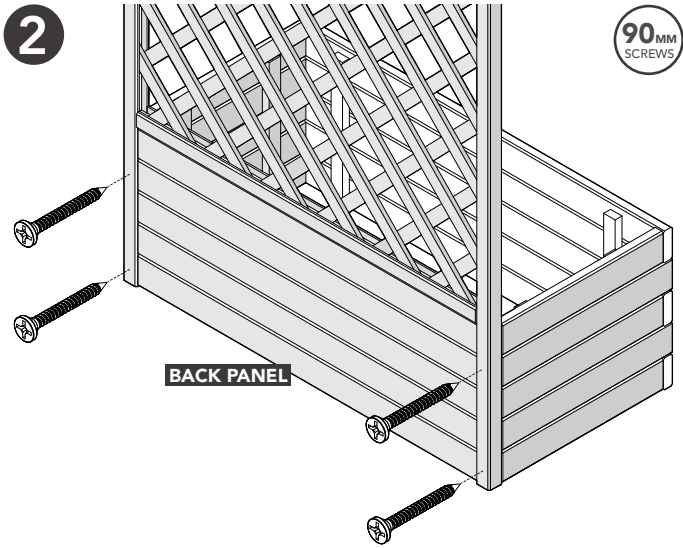
IMPORTANT
Assembly requires 2+ adults.



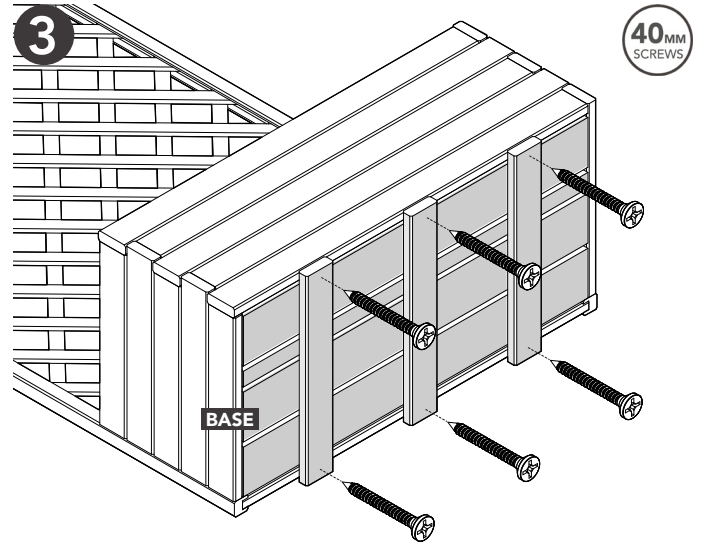
REMINDER
Always pre-drill before screwing.

Missing something or need more information?
Call our aftersales team on
0333 321 3142

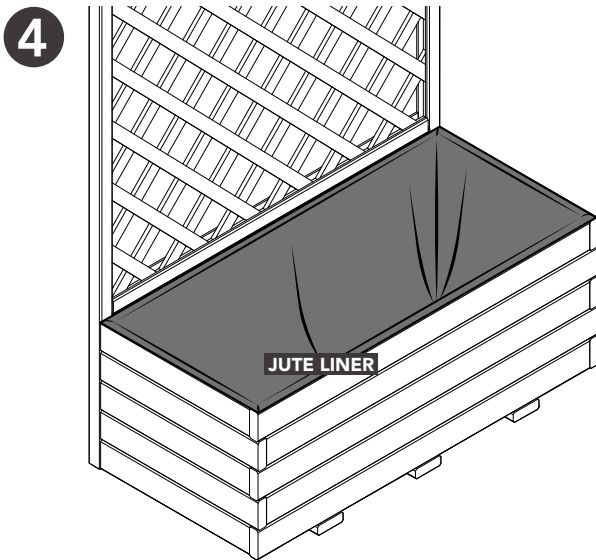
Visit our website for spare instructions and more information
www.forestgarden.co.uk



Position and secure the Back Panel to the ends of the Left and Right panels, using 4 x 90mm screws. Ensure the Back Panel is flush to the sides.



Position and secure the Base to the bottom of the Front and Back Panels, as shown above.



Lay out and position the Jute Liner material inside your planter. Overlap over the top edge.

HEALTH & SAFETY

DO NOT CLIMB THIS PRODUCT

We strongly recommend that PPE (Personal Protective Equipment) is used throughout your build to ensure you are protected from any potential health and safety risks. **Do not exempt yourself from wearing PPE.**



CHECK YOU HAVE ALL YOUR PARTS PRIOR TO ASSEMBLY.

(The parts do not have codes on them. They are listed below should you need to order one.)

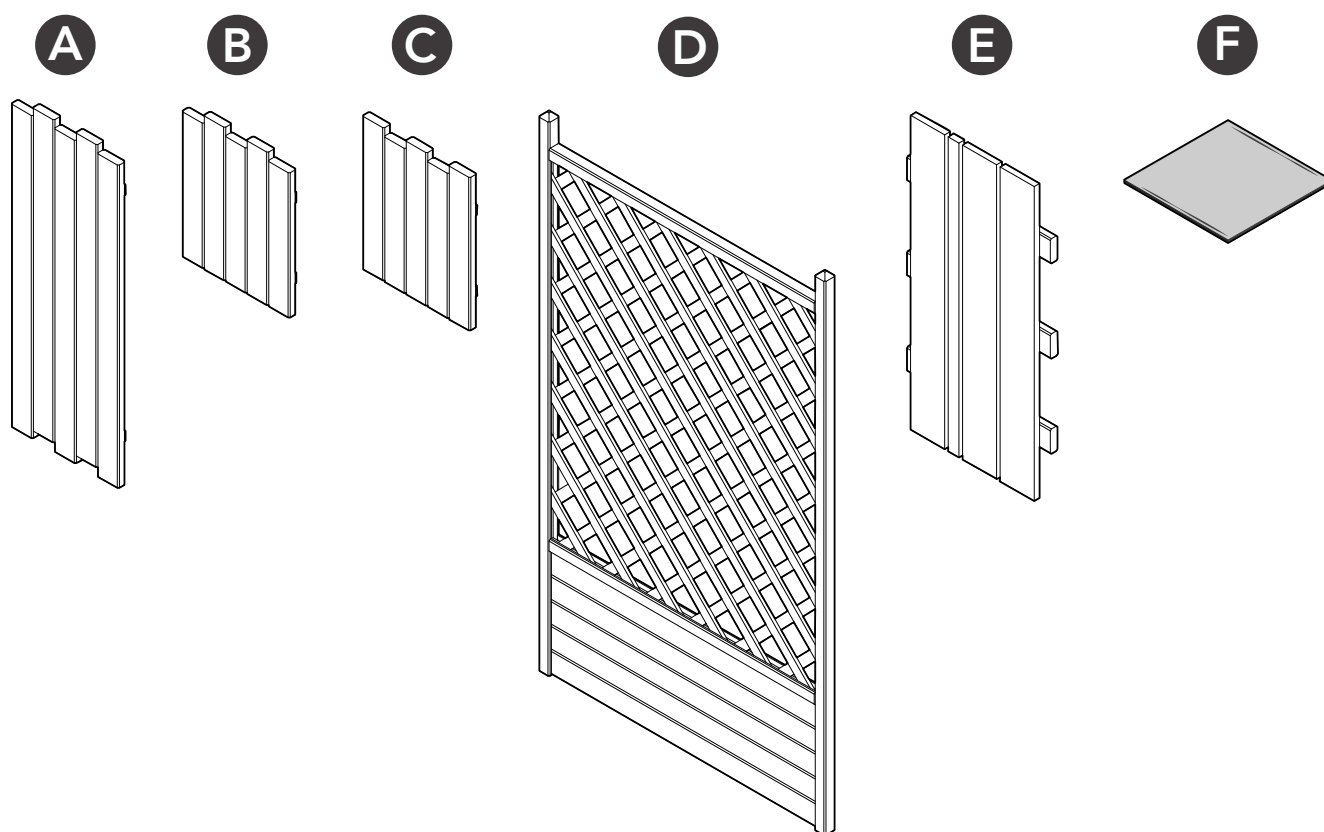
Timber is a natural material of which will shrink and swell as a result of varying moisture content.

Assembly of damaged parts may be deemed to be acceptance and this may affect the remedies you are entitled to. If the product is not constructed in accordance with the instructions, or is altered in anyway (e.g. painted), the manufacturer cannot be held liable for any resulting damage.

The components provided may be heavy. Please lift with caution and with a minimum of 2 people.

Trellis Planter (TPLA)			
Label	Part Code	Description	No.
A	TPLAFRONT	Front Panel 300x35x800mm	1
B	TPLALHSIDE	Left Side Panel 300x35x370mm	1
C	TPLARHSIDE	Right Side Panel 300x35x370mm	1
D	TPLABACK	Back Panel 1350x30x800mm	1
E	TPLABASE	Base 760x35x400mm	1
F	JLINETPLA	Jute Liner	1

Use the labelled components to help identify the part code and description.



TREATED TIMBER CONTAINING A BIOCIDAL PRODUCT CONTROL OF WOOD DESTROYING ORGANISMS

Active Ingredients - Propiconazole, Tebuconazole, IPBC, Permethrine, Benzyl-C12-16-Alkyldimethyl Chlorides. (Dip Treated)
Basic Copper Carbonate, DDA Carbonate, DDA Chloride. (Pressure Treated)

Wear gloves when handling. Avoid inhalation of sawdust. Do not use in contact with drinking water or food. Do not use for animal bedding or in fish ponds. Dispose of treated wood responsibly.